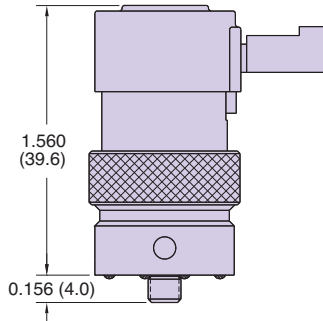


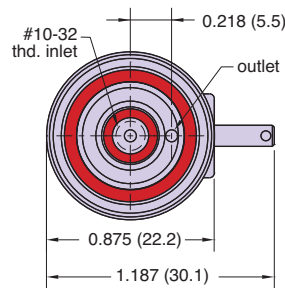
# EVP SERIES PROPORTIONAL CONTROL VALVES MANIFOLD MOUNT



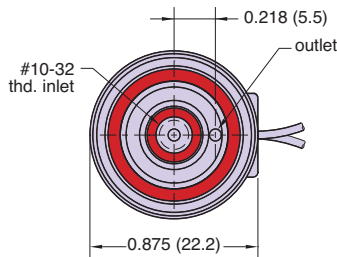
**EC - PM - □ - □□ - □**



**ET - PM - □ - □□ - □**



**EV - PM - □ - □□ - □**



**Type:** 2-Way, Proportional  
**Medium:** Air or Inert Gases  
**Temperature Range:** 32 to 120°F  
**Power Consumption:** 1.9 watts at 23°C, 2.3 watts max.  
**Mounting:** Manifold  
**Ports:** #10-32 male stud

Nominal Voltage Range at 23°C (vdc)	Input Current Range (amps)	Coil Resistance at 23°C (ohms)	Max. Voltage Required (vdc)
0 - 5	0 - 0.370	13.5	6.2
0 - 10	0 - 0.185	54	12.4
0 - 20	0 - 0.092	218	24.8

*Do not exceed input current range.*

The EVP Proportional Valve can be calibrated for pressures less than the maximum shown here. Lower pressures may be substituted, and will be used for calibration. The pressures shown above are standard options. For pressures less than 5 psig, please consult factory.

## NUMBERING SYSTEM

**E** □ - **PM** - □ - □□ - □

**C** - Connector  
**T** - Spade Terminals  
**V** - Wire Leads

**Voltages: \***  
**05** - 0-5 VDC  
**10** - 0-10 VDC  
**20** - 0-20 VDC

**Orifice Options:**

**09** - 0.009" dia. }  
**13** - 0.013" dia. }  
**25** - 0.025" dia. }  
**40** - 0.040" dia. }  
**60** - 0.060" dia. }

**Maximum Pressure (specify Operating Pressure):**

□ - 0-100 psig  
 □ - 0-50 psig  
 □ - 0-25 psig

**Options:**  
**Blank** - none  
**E** - EPDM  
**V** - FKM seals

\* Consult factory for availability of non-standard voltages and other options

Sample part number: EC-PM-10-4025

For Cable and Connectors, see Page 181.